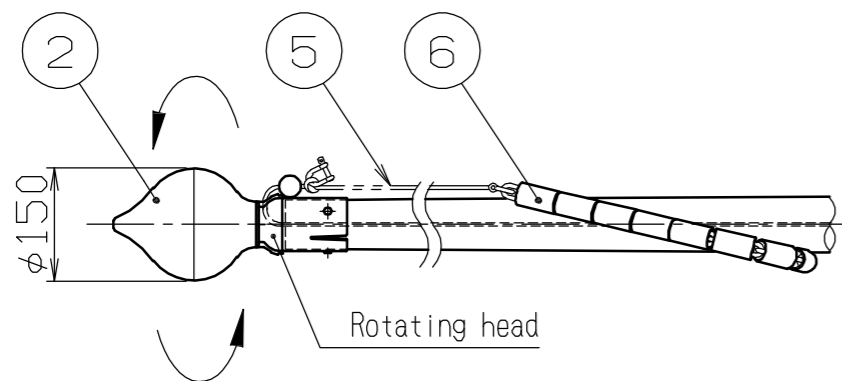


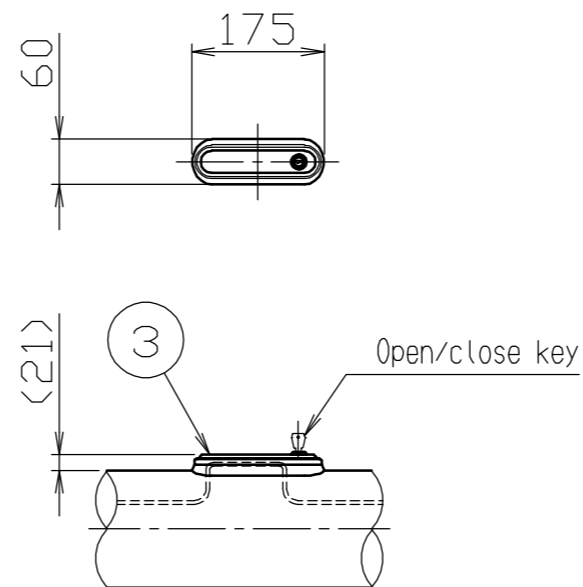
Details of Finial

S=1/10



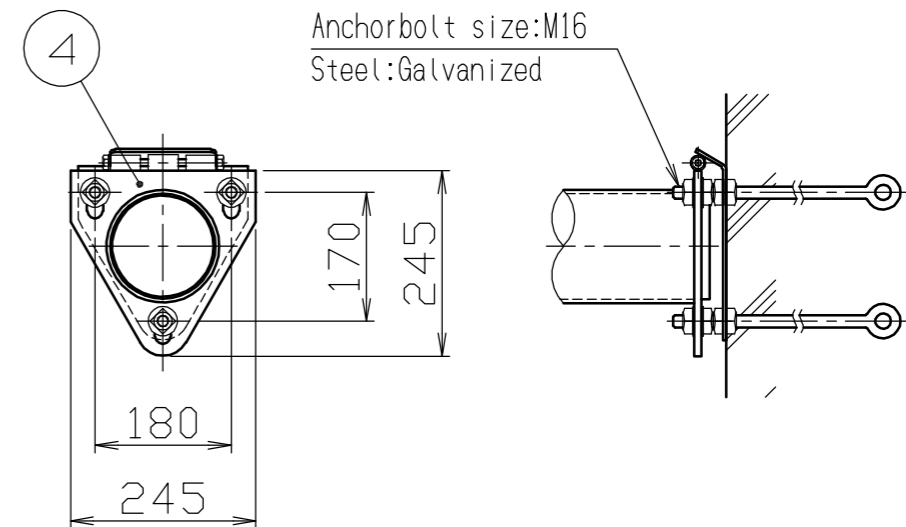
Details of cleat

S=1/10



Details of Hingzi Base

S=1/10



※ For safety, please refrain from using the flag when the wind speed is more than 15 meters/second.

| | | | | | |
|----|---------------|------|------------------------------|-------------------------------------|-----------|
| 6 | Weight Ring | 1 | Iron chain/PVC pipe | galvanized | |
| 5 | Rope | 1 | Polyester | 5mm | |
| 4 | Hinge Base | 1 | Steel plate/Steel pipe | φ139.8 galvanized | |
| 3 | Locking Cleat | 1 | Abs resin | | |
| 2 | Finial | 1 | Acrylic resin | φ150 | |
| 1 | Pole | 1 | Glass fiber reinforced resin | φ65-φ150 Gelcoating (Uv stabilizer) | |
| No | Product Name | Q'ty | Material | 備 | Remarks 考 |

| | | | | |
|-----------------------------|----------|----------|----------------------|-------------------|
| European Flagpole Co., Ltd. | | 年月日 DATE | 品名 SUBJ. MFP-10BS | |
| Sunpole Japan group | | | | |
| 承認 APPR. | 検図 C. BY | 製図 D. BY | 尺度 SCALE | 図番 DRAWING No. |
| | | | 1 / 40 | |
| | | | | DWG A3 SIZE |