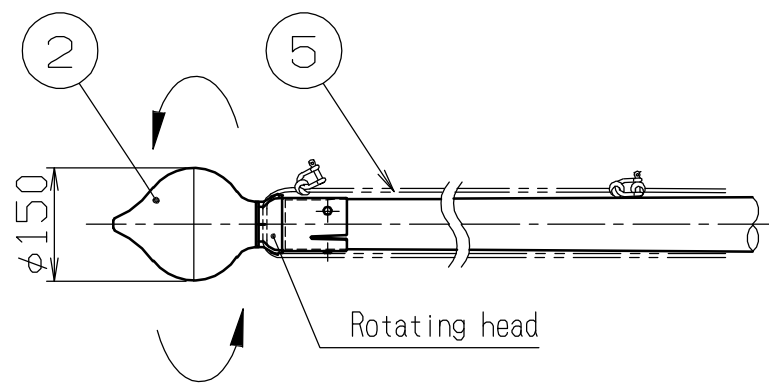


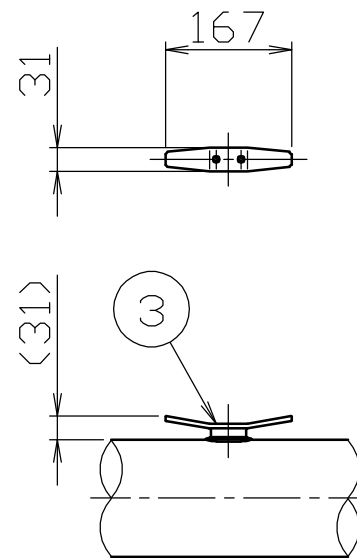
Details of Finial

S=1/10



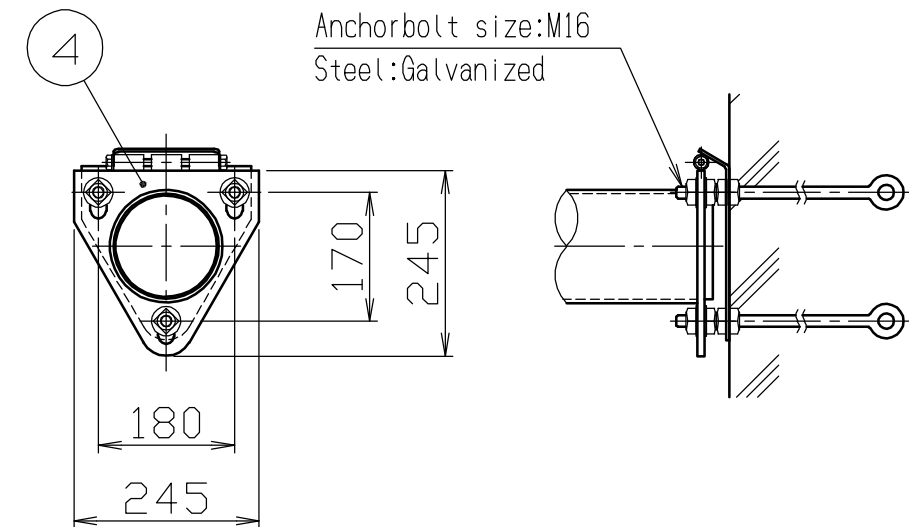
Details of cleat

S=1/10



Details of Hingzi Base

S=1/10



※ For safety, please refrain from using the flag when the wind speed is more than 15 meters/second.

| No | Product Name | Q'ty | Material                     | Remarks                               |
|----|--------------|------|------------------------------|---------------------------------------|
| 5  | Rope         | 1    | Polyester                    | 5mm                                   |
| 4  | Hinge Base   | 1    | Steel plate/Steel pipe       | φ 139.8 galvanized                    |
| 3  | Cleat        | 1    | Abs resin                    |                                       |
| 2  | Finial       | 1    | Acrylic resin                | φ 150                                 |
| 1  | Pole         | 1    | Glass fiber reinforced resin | φ 65-φ 150 Gelcoating (Uv stabilizer) |

|                             |          |          |          |                |                   |
|-----------------------------|----------|----------|----------|----------------|-------------------|
| European Flagpole Co., Ltd. |          |          | 年月日 DATE | 品名<br>SUBJ.    | CFP-9BS           |
| Sunpole Japan group         |          |          |          |                |                   |
| 承認 APPR.                    | 検図 C. BY | 製図 D. BY | 尺度 SCALE | 図番 DRAWING No. | DWG<br>A3<br>SIZE |
|                             |          |          | 1 / 30   |                |                   |