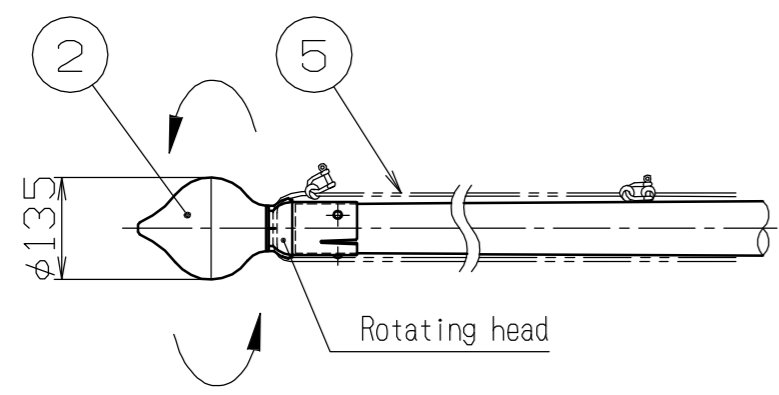
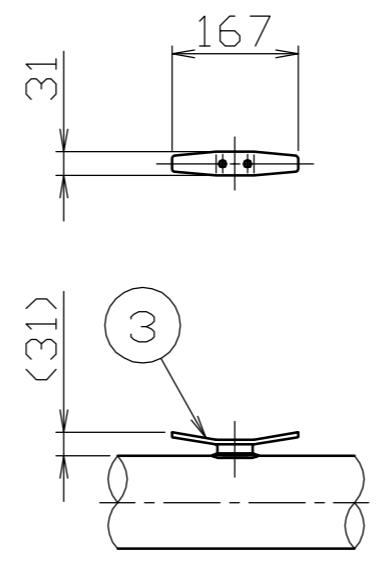


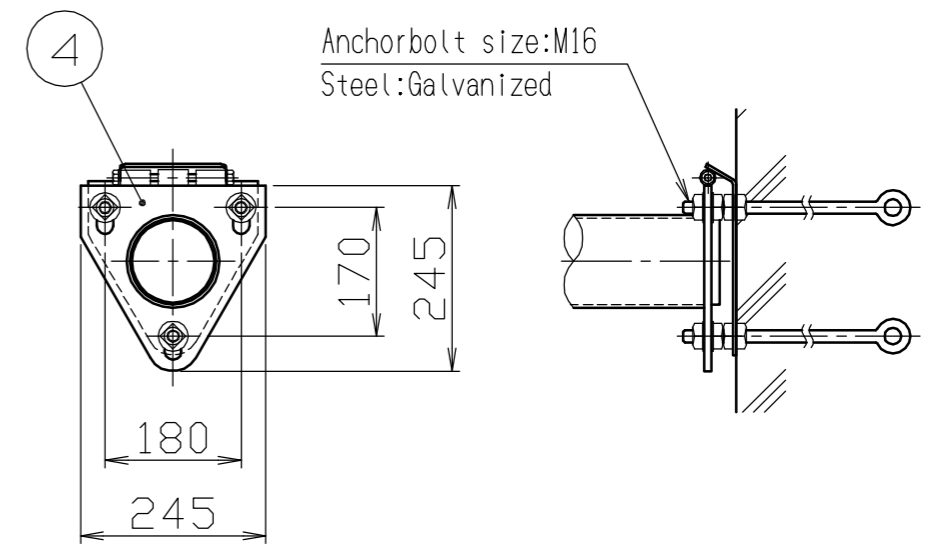
Details of Finial
S=1/10



Details of cleat
S=1/10



Details of Hinge Base
S=1/10



※ For safety, please refrain from using the flag when the wind speed is more than 15 meters/second.

5	Rope	1	Polyester	5mm	
4	Hinge Base	1	Steel plate/Steel pipe	φ 114.3	galvanized
3	Cleat	1	Abs resin		
2	Finial	1	Acrylic resin	φ 135	
1	Pole	1	Glass fiber reinforced resin	φ 65-φ 123	Gelcoating (Uv stabilizer)
No	Product Name	Q'ty	Material	Remarks	

European Flagpole Co., Ltd.			年月日 DATE	品名 SUBJ.	CFP-6BS
Sunpole Japan group					
承認 APPR.	検図 C. BY	製図 D. BY	尺度 SCALE	図番 DRAWING No.	DWG A3 SIZE
			1 / 30		