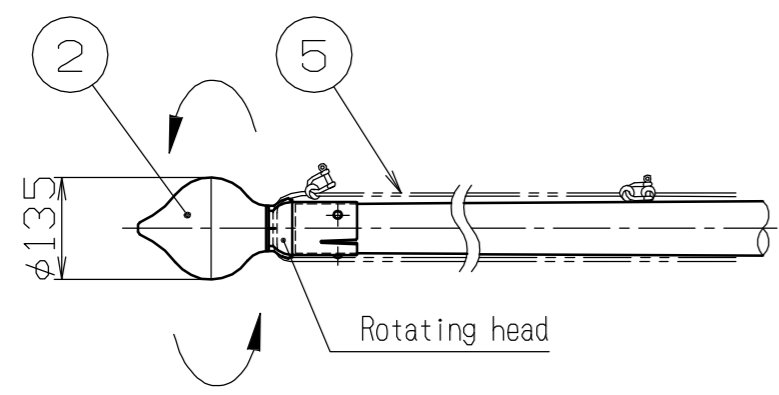
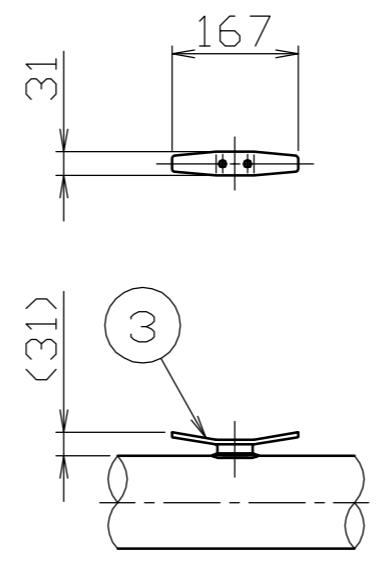


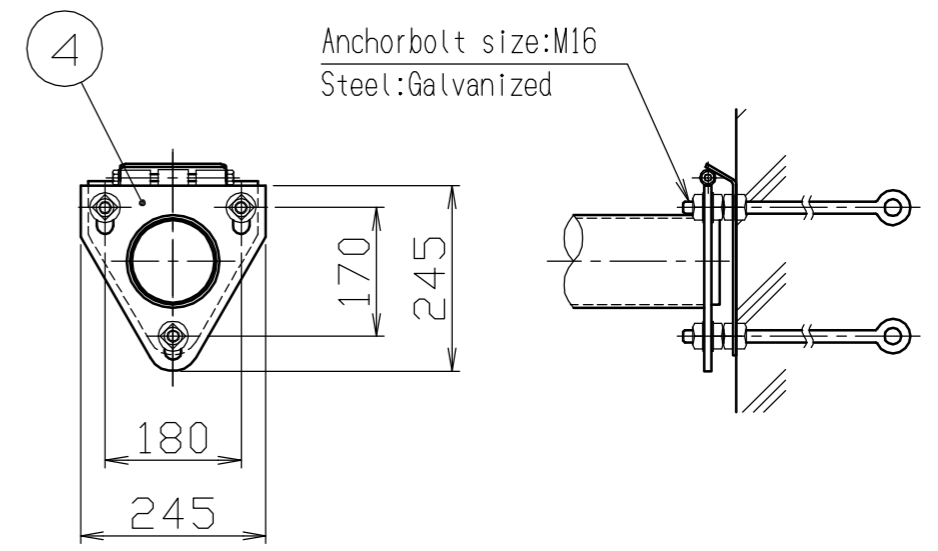
Details of Finial
S=1/10



Details of cleat
S=1/10



Details of Hing Base
S=1/10



※ For safety, please refrain from using the flag when the wind speed is more than 15 meters/second.

No	Product Name	Q'ty	Material	Remarks
5	Rope	1	Polyester	5mm
4	Hinge Base	1	Steel plate/Steel pipe	$\phi 114.3$ galvanized
3	Cleat	1	Abs resin	
2	Finial	1	Acrylic resin	$\phi 135$
1	Pole	1	Glass fiber reinforced resin	$\phi 65-\phi 123$ Gelcoating (Uv stabilizer)

European Flagpole Co., Ltd. Sunpole Japan group			年月日 DATE	品名 SUBJ. CFP-5BS
承認 APPR.	検図 C. BY	製図 D. BY	尺度 SCALE 1 / 30	図番 DRAWING No.

DWG
A3
SIZE
1908