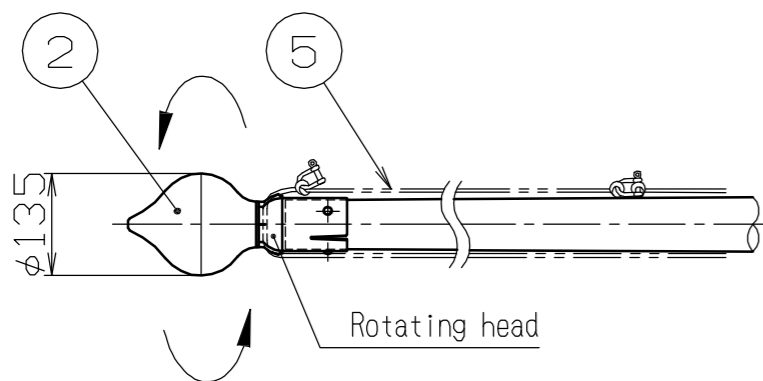
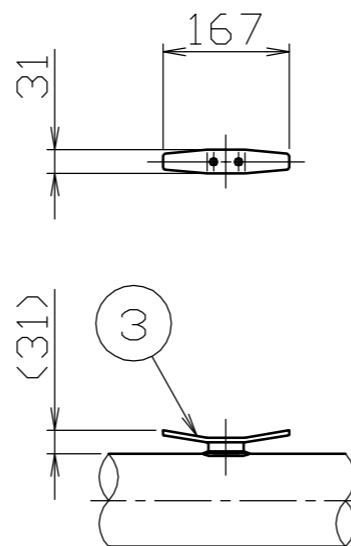


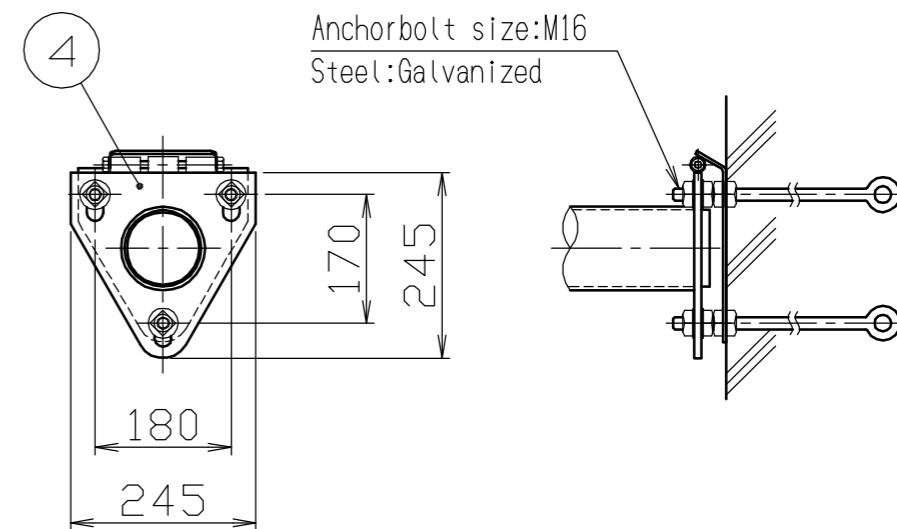
Details of Finial
S=1/10



Details of cleat
S=1/10



Details of Hing Base
S=1/10



※ For safety, please refrain from using the flag when the wind speed is more than 15 meters/second.

| | | | | | |
|----|--------------|------|------------------------------|------------|----------------------------|
| 5 | Rope | 1 | Polyester | 5mm | |
| 4 | Hinge Base | 1 | Steel plate/Steel pipe | φ 101.6 | galvanized |
| 3 | Cleat | 1 | Abs resin | | |
| 2 | Finial | 1 | Acrylic resin | φ 135 | |
| 1 | Pole | 1 | Glass fiber reinforced resin | φ 65-φ 111 | Gelcoating (Uv stabilizer) |
| No | Product Name | Q'ty | Material | Remarks | |

| | | | | | |
|-----------------------------|----------|----------|----------|----------------|-------------------|
| European Flagpole Co., Ltd. | | | 年月日 DATE | 品名 SUBJ. | CFP-4BS |
| Sunpole Japan group | | | | | |
| 承認 APPR. | 検図 C. BY | 製図 D. BY | 尺度 SCALE | 図番 DRAWING No. | DWG A3 SIZE |
| | | | 1 / 20 | | 1908 |