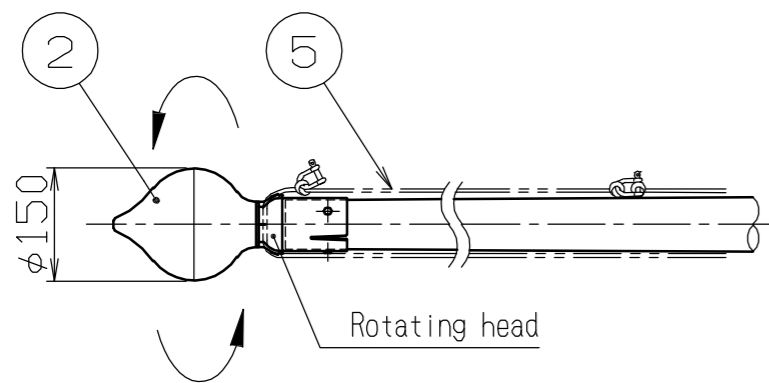


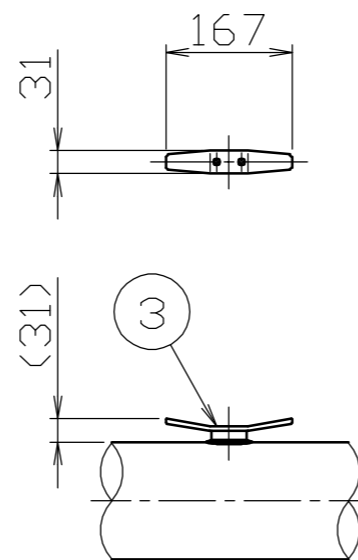
Details of Finial

S=1/10



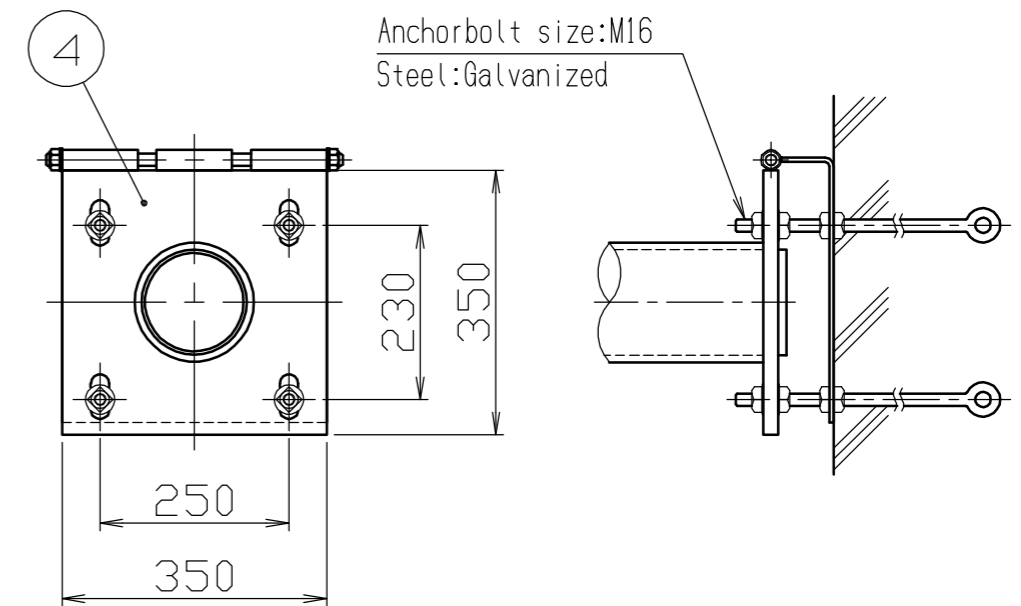
Details of cleat

S=1/10



Details of Hingzi Base

S=1/10



※ For safety, please refrain from using the flag when the wind speed is more than 15 meters/second.

No	Product Name	Q'ty	Material	Remarks
5	Rope	1	Polyester	6mm
4	Hinge Base	1	Steel plate/Steel pipe	$\phi 139.8$ galvanized
3	Cleat	1	Abs resin	
2	Finial	1	Acrylic resin	$\phi 150$
1	Pole	1	Glass fiber reinforced resin	$\phi 65-\phi 159$ Gelcoating (Uv stabilizer)

European Flagpole Co., Ltd.			年月日 DATE	品名	CFP-14BS
Sunpole Japan group				SUBJ.	
承認 APPR.	検図 C. BY	製図 D. BY	尺度 SCALE	図番 DRAWING No.	DWG
			1 / 50		A2
					SIZE