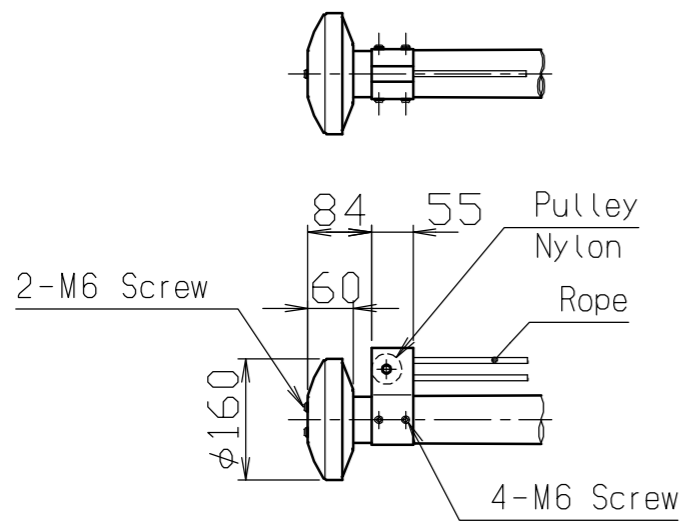
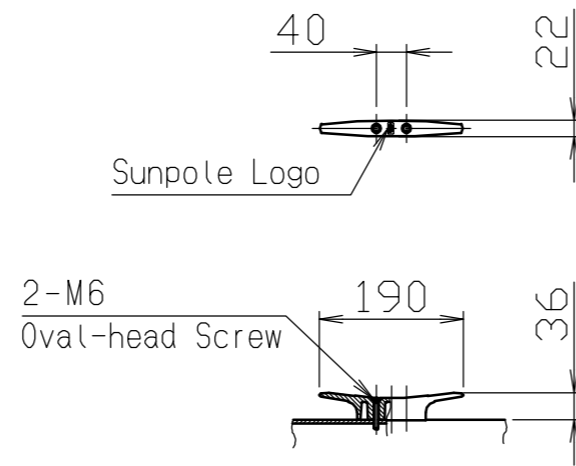


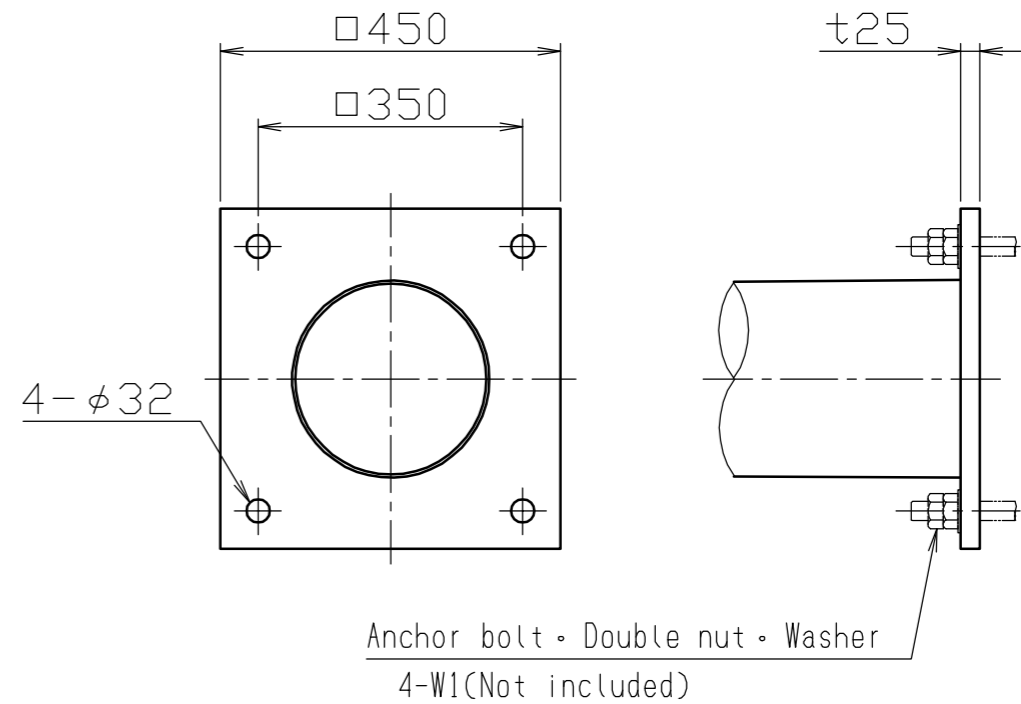
Details of Pole Head  
S=1/10



Details of cleat  
S=1/10



Details of Base  
S=1/10



※ For safety, please refrain from using the flag when the wind speed is more than 15 meters/second.

No.	Product Name	Qty	Material	Remarks	European Flagpole Co., Ltd. Sunpole Japan group	年月日 DATE	品名 SUBJ.	図番 DRAWING No.	DWG A3 SIZE
5	Base	1	Steel plate SS400	□450×t25.0 Hot dip galvanized	承認 APPR. 検図 C. BY 製図 D. BY		SFP-13BS		2001
4	Cleat	1	Aluminum alloy die casting ADC6	Clear baking coating finish after buffing					
3	Pulley System	1	Aluminum alloy A6063S-T5	Baking coating finish	尺度 SCALE	1 / 50			
2	Pole Head	1	Aluminum alloy/Polypropylene A1050P/PP	Alumite treatment					
1	Pole	1	Steel pipe SS400	φ60-φ262 Hot dip galvanized (astm A123)					